



**Halsey Taylor**<sup>®</sup>  
Satisfying Thirsts Since 1912

**Endura II™ Tubular Yard Hydrant**  
**Model 4460YHHB Yard Hydrant (Hose Bib) and**  
**Model 4461YHLHB Yard Hydrant (Locking Hose Bib)**  
*\*Please see table below for entire sku*

**MODELS: 4460YHHB and 4461YHLHB**

**GENERAL**

Pedestal, Endura II™ Steel yard hydrant with textured powder coat finish and E-Coat immersion for year-round beauty with minimum maintenance. The E-Coat immersion process coats the outside and inside of the hydrant for the ultimate in corrosion protection. Hydrant provides ability to connect garden hoses or fill pails in outdoor applications. Ideal for golf courses, ball parks and swimming pools for irrigation purposes. This hydrant is rated for inlet water pressure of 20-105 psi. Model 4460YHHB is hydrant with non-locking hose bib. Model 4461YHLHB includes panel and a door that can be secured with a standard padlock (not included).

**WATER INLET & DRAIN OUTLET**

Inlet: 1/2" O.D. Tubing

**SUGGESTED SPECIFICATIONS**

Hydrant shall include 10" domed cap with vandal-resistant screws. Model 4460YHHB has access panel with recessed hose bib. Model 4461YHLHB has access panel with recessed hose bib and a door that can be secured with a standad padlock (not included). Not designed for sub-freezing applications.

Note: Continued product improvement makes specifications subject to change without notice. See the Halsey Taylor website for the most current spec sheet.

**Yard Hydrant**



Model 4460YHHB

Model 4461YHLHB

**\*FINISH COLOR OPTIONS – Choose color option to complete your model number, add as suffix example: 4460YHHBEVG or 4461YHLHBEVG**

Matte finish:  Evergreen = **EVG**

Gloss finish:

- |   |  |  |
|---|--|--|
| <input type="checkbox"/> Beige = <b>BGE</b> | <input type="checkbox"/> Gray = <b>GRY</b>   | <input type="checkbox"/> Terracotta = <b>TER</b> |
| <input type="checkbox"/> Black = <b>BLK</b> | <input type="checkbox"/> Orange = <b>ORN</b> | <input type="checkbox"/> White = <b>WHT</b>      |
| <input type="checkbox"/> Blue = <b>BLU</b>  | <input type="checkbox"/> Purple = <b>PUR</b> | <input type="checkbox"/> Yellow = <b>YLW</b>     |
| <input type="checkbox"/> Brown = <b>BRN</b> | <input type="checkbox"/> Red = <b>RED</b>    |  |

Now Available  
in 12 Colors!



Each 4460/4461 consists of 1 carton of the following:  
Hydrant

Service Stop not included.

Job Name: \_\_\_\_\_

Model: \_\_\_\_\_ Qty. \_\_\_\_\_

Contact: \_\_\_\_\_

Approval Signature: \_\_\_\_\_

Notes:

Note: Continued product improvement makes specifications subject to change without notice. See Halsey Taylor website for most current spec sheet.

# Endura II™ Tubular Yard Hydrant MODELS 4460YHHB and 4461YHLHB

**OPERATING PRESSURES:**  
Supply water 20 – 105 psi maximum

## Model 4460YHHB

(CONTINUED)

**MOUNTING INSTRUCTIONS and PLUMBING CONNECTIONS**  
Provide solid, well-drained surface to mount hydrant (concrete pad recommended.) (6) 3/8" minimum fasteners (not included) should be attached securely to mounting surface in order to secure fountain. (Refer to rough-in diagram.)

Locate and install plumbing through ground as required.

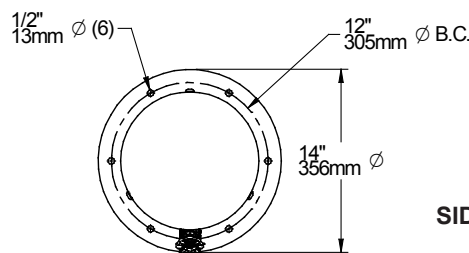
**NOTE: Hydrant is not furnished with service valve.**

Position hydrant over plumbing and secure base to fasteners. Remove access panel and connect supply and water lines. Turn on water supply and check for leaks. Reassemble access panel to pedestal. Refer to owners' manual for detailed instructions.

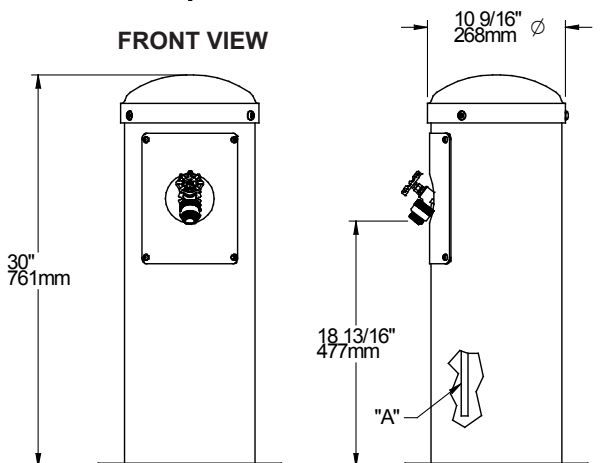
Hydrant is rated for inlet water pressure of 20-105 psi. A pressure reducing regulator should be used if the inlet water supply exceeds 105 psi.

**NOTE: Not designed for sub-freezing applications.**

TOP VIEW



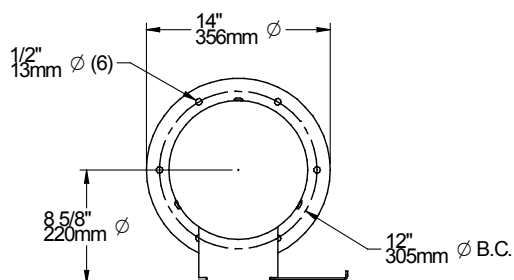
SIDE VIEW



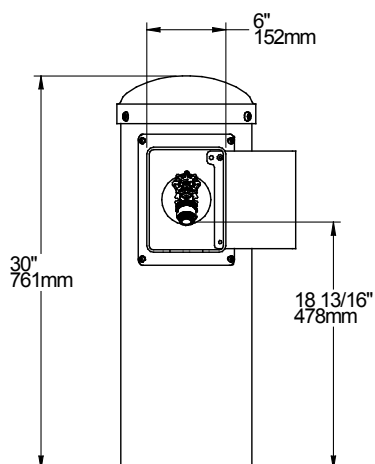
FRONT VIEW

## Model 4461YHLHB

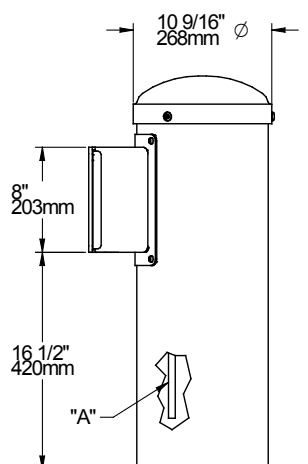
TOP VIEW



FRONT VIEW



SIDE VIEW



**Halsey Taylor®**

A = 1/2" O.D. UNPLATED COPPER TUBE CONNECT  
SHUT OFF VALVE BY OTHERS